

Fost

PET Felt Acoustic Lamp



- made from recycled PET bottles
- gentle sound-dampening effect
- cable and cord length can be customised
- comes with an embedded LED module
- available in two colour temperatures
- DALI dimmable

Colours

Shell



Note: Due to the recycled content of the PET felt, color differences may occur.

Inner inlay

White

Cord

Transparent

Specifications

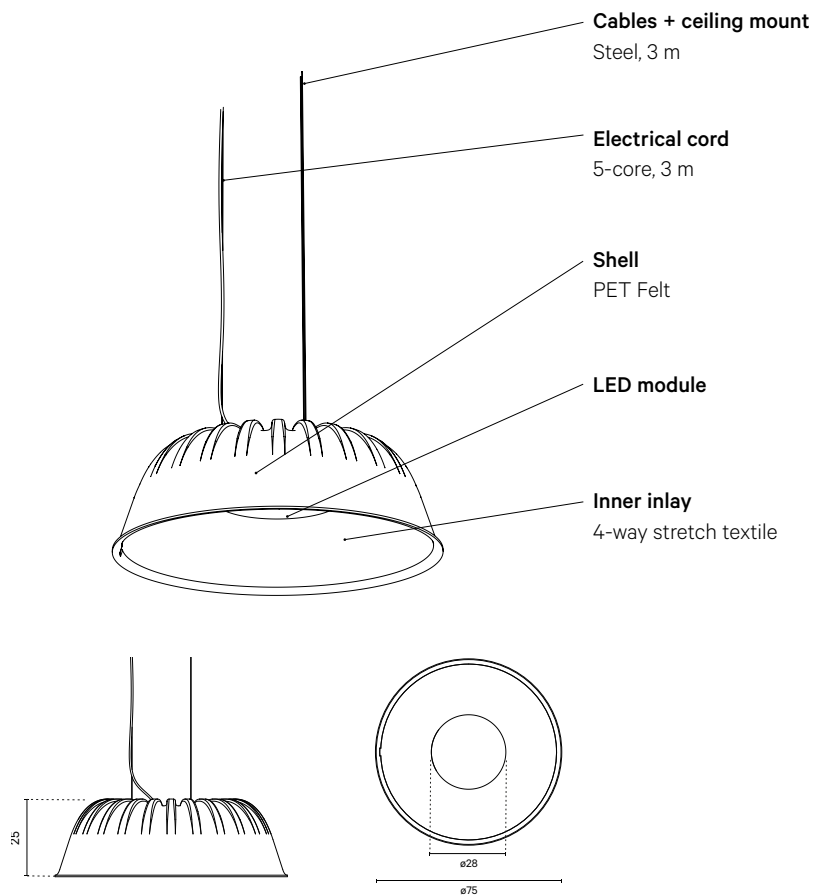
<i>Voltage</i>	120V - 240V
<i>Power</i>	10W
<i>Colour temperature</i>	Warm white, neutral white (3000K, 4000K)
<i>CRI</i>	>80
<i>Luminous flux</i>	1100 Lm
<i>IP rating</i>	IP44
<i>Dimmable</i>	DALI dimmable



With its generous dome shape and graphic expression, Fost Lamp offers a combined solution for acoustics and illumination. The PET felt lampshade has a soft texture and a bold ribbed pattern on the outside, while the inner surface features contrasting white fabric. Enveloping the LED module, the fabric gently disperses the light down, granting an inviting sensation of privacy and calmness.

Designed by **De Vorm**

Product overview



Downloads

3D files, technical drawings and Hi-Res images are available in the [Download Library](#) at [devorm.nl](#)

Additional information

You can find maintenance recommendations, warranty terms and corporate information in the [Information bank](#) at [devorm.nl](#)