

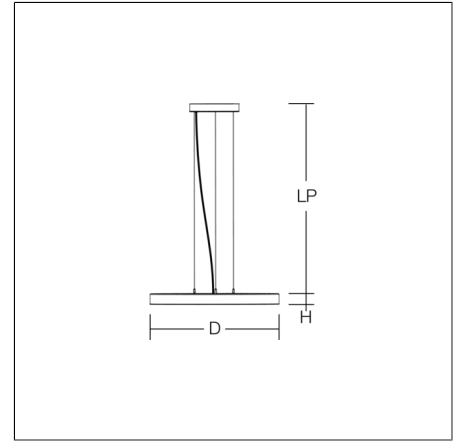
TRIONA round

312294.0031.2.730 | Pendant luminaires



Pendant luminaires
4051859336143
D 681, H 52

pendant
anthracite metallic (DB703)



Decorative round LED pendant-mounted surface luminaire. Flat, seamless frame: aluminium extrusion profile, powder coated. Cover made of sheet steel, powder-coated. Canopy made of aluminium, powder-coated. Direct light emission through a diffuser made of handmade red Ferro Murano coloured glass. Indirect light emission through a flush diffuser made of satin-finish plastic. Lightguide and diffuser made of non-yellowing plastic (PMMA). Lateral light emission (RZB SIDELITE® technology) for above-average homogeneous light distribution. Direct 70%, indirect 30% light emission. Tunable white versions, dynamically adjustable from 2700 K to 6500 K. 3-point steel cable suspension, steplessly adjustable. Easy installation with transparent, adjustable pendant cable and canopy with magnetic fixing. Driver integrated. Ideal for use as part of the Human Centric Lighting concept in connection with RZB light management systems.

Product specifications

Diameter D	681 mm
Height H	52 mm
Suspension length LP	500-1200 mm
Weight	11.87 kg
Light source	LED
Colour temperature	2700 - 6500 K
Rated luminous flux	4400...4600 lm
System power	61...63 W
System efficiency	70...75 lm/W
Glare evaluation UGR (4H 8H)	18 ... 18,2
Beam angle	down 104° 103° up 105° 106°
Rated life	50000 h (L80/B50)
Colour rendering index (CRI)	80
Colour tolerance	3
Photobiological safety according to EN 62471	Risk group 1
Driver	Converter, dimmable
Control	smart+free (Bluetooth)
Voltage	220 - 240 V / 50 Hz
Luminaires on B10A fuse	6
Luminaires on B16A fuse	10
Luminaires on C10A fuse	10
Luminaires on C16A fuse	16
Inrush current / Inrush current duration	39 A / 286 µs
CIE Flux Code / CEN Flux Code	50 80 96 73 100
Type of protection	IP 20
Protection class	I
Filament test	650°C - 30 seconds
Impact resistance	
Ambient temperature	25 °C
Safety marks	F-mark
Conformity mark	CE