

TASTEFUL CURVES ON THE TABLE

The Swan Table light combines functionality with a smooth and curvy appearance. It is perfect for tables in any interior where elegant lighting is required.

Swan table



TUNTO

Collection

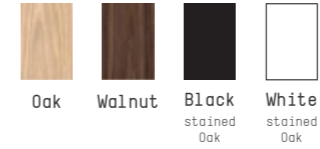


Swan table

TUNTO

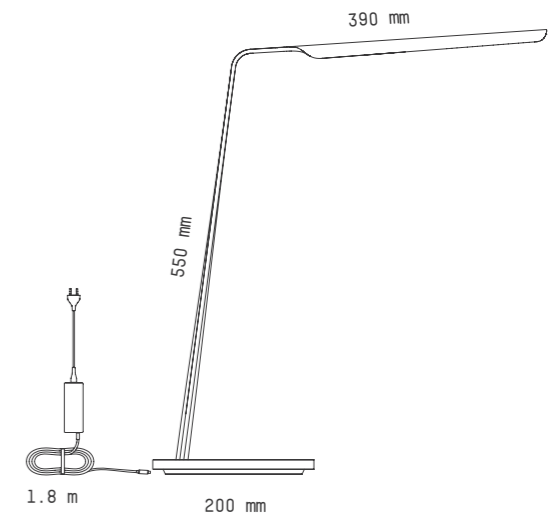
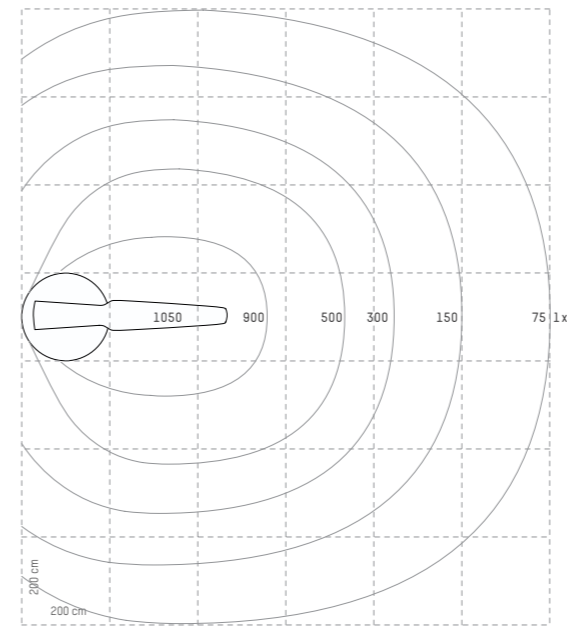
TECHNICAL SPECIFICATIONS

Available colors and materials



Surface Finish Lacquer

Swan table lx



Power Use	14-7,5 W, with Qi 20W	Kelvin	2700 K, 3000 K
Voltage	100-240V 50/60 Hz	Lumen	max 1090 lm, lowest level 660 lm
Output	18-24V	CRI	93 Typ
Cord Length	1,8 m	Package Size	590 x 570 x 220 mm
Suitable	EURO, UK, USA/Japan	Package Weight	3 kg
Qi Operating Mode	Qi 1.0 standard compatible		

INDOOR USE ONLY

NON-USER REPLACEABLE LIGHT SOURCE

IP20

CE



Collection