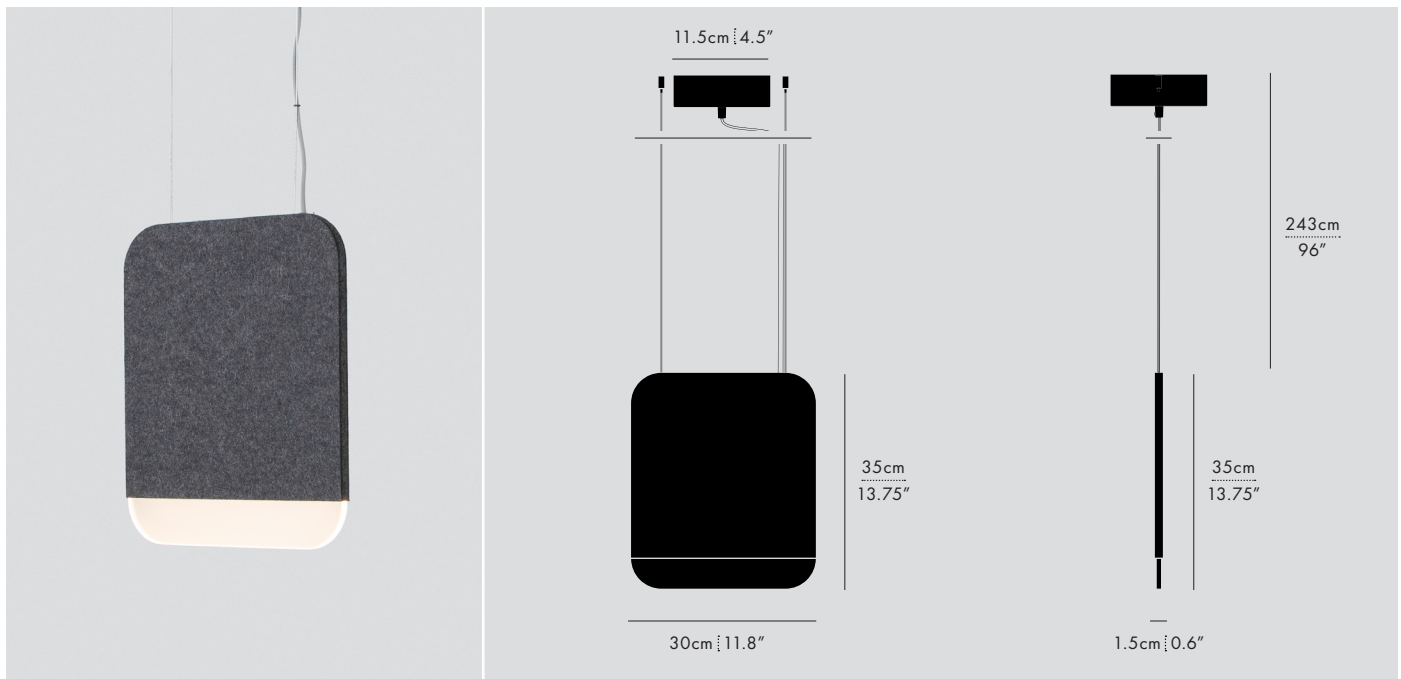


SLAB 30-P

PENDANT

MANUFACTURED IN CANADA

LUKAS PEET / 2013



SLA-30-P-BLK-30-ELV-120

DESCRIPTION

Slab's acoustic properties reduce ambient noise while its distinctive aesthetics stand out.

TYPE

Pendant

DIMENSIONS

- Luminaire: 30 x 35 x 1.5cm / 11.8" x 13.75" x 0.6"
- Adjustable drop length: 243cm / 96"

* CUSTOM LENGTH AVAILABLE

CERTIFICATIONS

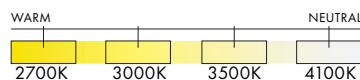


* APPLICATION: DRY INDOOR LOCATION ONLY

TECHNICAL INFORMATION

- Input Voltage: 110-120V, 220-240V, 110-277V
- Lamping: Integral 4W 12V DC LED
CRI 90+, 50,000 hours
- Lumens: 256 lumens delivered
- Power Supply: Phase Dimming, 0-10V, DALI

COLOUR TEMPERATURE



MATERIALS

- Acrylic
- Merino Wool

FINISHES



SERIES	SIZE	TYPE	FINISH	CCT	PS	VOLTAGE IN
SLA	30	P	<input type="checkbox"/> WWH (WOOL WHITE)	<input type="checkbox"/> 27 (2700K)	<input type="checkbox"/> ELV	<input type="checkbox"/> 120
			<input type="checkbox"/> GRY (WOOL GREY)	<input type="checkbox"/> 30 (3000K)	<input type="checkbox"/> 010	<input type="checkbox"/> 230
			<input type="checkbox"/> BRN (WOOL BROWN)	<input type="checkbox"/> 35 (3500K)	<input type="checkbox"/> DAL	<input type="checkbox"/> 277*
			<input type="checkbox"/> BLK (WOOL BLACK)	<input type="checkbox"/> 41 (4100K)		
			<input type="checkbox"/> GLD (MARIGOLD)			
			<input type="checkbox"/> GRN (FERN GREEN)			

*277 ONLY AVAILABLE WITH 010

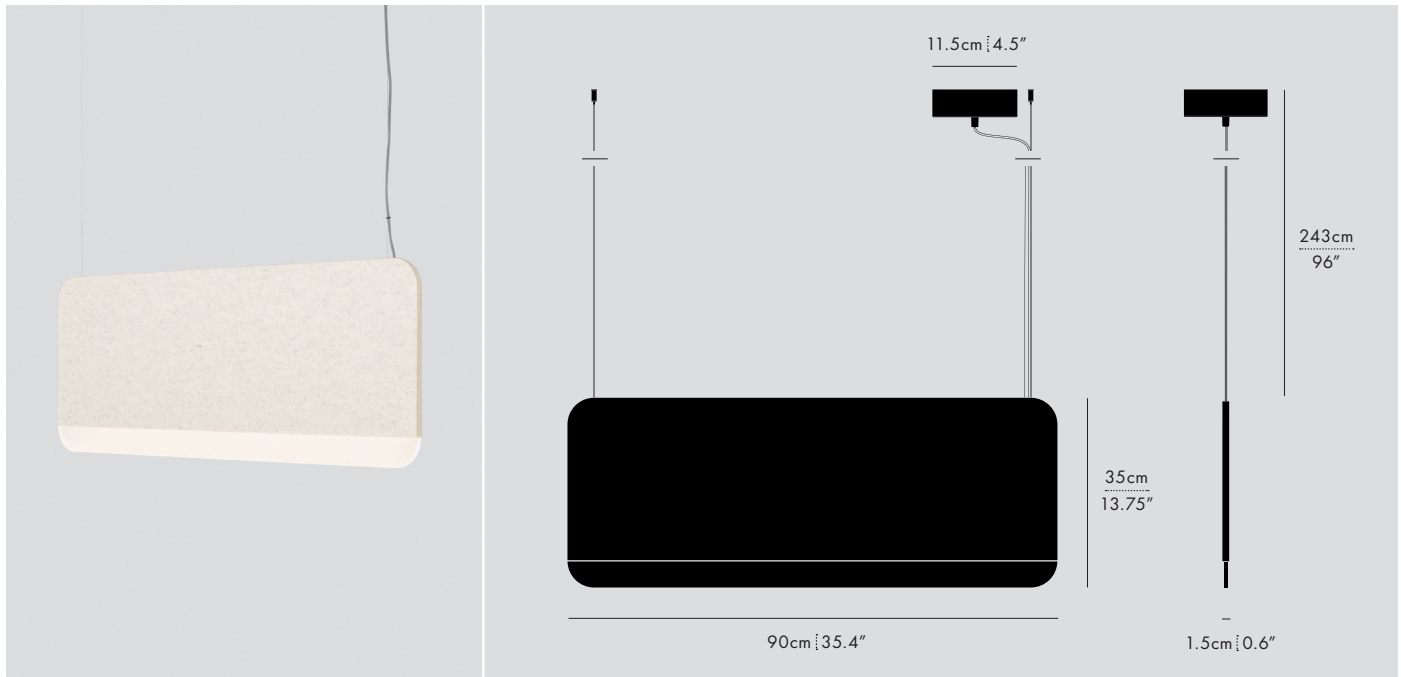


SLAB 90 - P

PENDANT

MANUFACTURED IN CANADA

LUKAS PEET / 2013



SLA-90-P-WWH-30-ELV-120

DESCRIPTION

Slab's acoustic properties reduce ambient noise while its distinctive aesthetics stand out.

TYPE

Pendant

DIMENSIONS

- Luminaire: 90 x 35 x 1.5cm / 35.4" x 13.75" x 0.6"
- Adjustable drop length: 243cm / 96"

* CUSTOM LENGTH AVAILABLE

CERTIFICATIONS

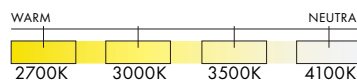


* APPLICATION: DRY INDOOR LOCATION ONLY

TECHNICAL INFORMATION

- Input Voltage: 110-120V, 220-240V, 110-277V
- Lamping: Integral 12W 12V DC LED
CRI 90+, 50,000 hours
- Lumens: 732 lumens delivered
- Power Supply: Phase Dimming, 0-10V, DALI

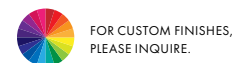
COLOUR TEMPERATURE



MATERIALS

- Acrylic
- Merino Wool

FINISHES



SERIES	SIZE	TYPE	FINISH	CCT	PS	VOLTAGE IN
SLA	90	P	<input type="checkbox"/> WWH (WOOL WHITE)	<input type="checkbox"/> 27 (2700K)	<input type="checkbox"/> ELV	<input type="checkbox"/> 120
			<input type="checkbox"/> GRY (WOOL GREY)	<input type="checkbox"/> 30 (3000K)	<input type="checkbox"/> 010	<input type="checkbox"/> 230
			<input type="checkbox"/> BRN (WOOL BROWN)	<input type="checkbox"/> 35 (3500K)	<input type="checkbox"/> DALI	<input type="checkbox"/> 277*
			<input type="checkbox"/> BLK (WOOL BLACK)	<input type="checkbox"/> 41 (4100K)		
			<input type="checkbox"/> GLD (MARIGOLD)			
			<input type="checkbox"/> GRN (FERN GREEN)			

*277 ONLY AVAILABLE WITH 010

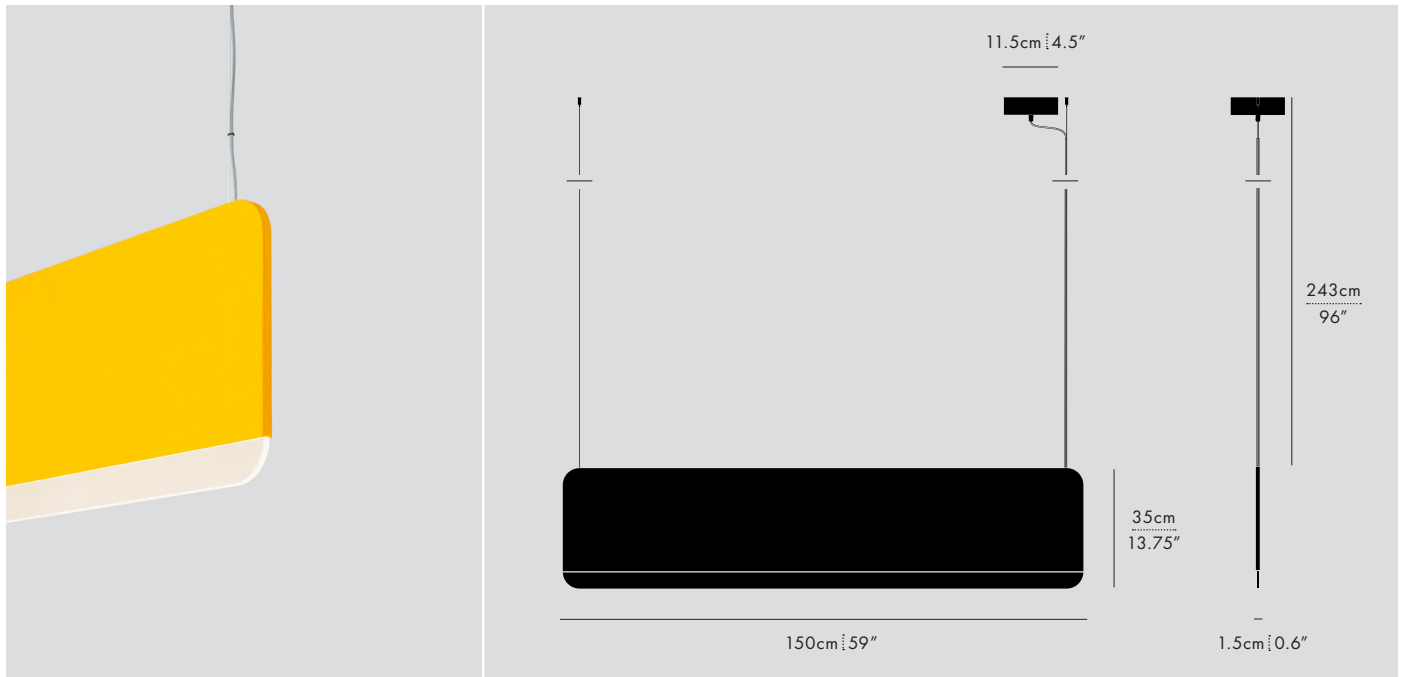


SLAB 150 – P

PENDANT

MANUFACTURED IN CANADA

LUKAS PEET / 2013



SLA-150-P-GLD-30-ELV-120

DESCRIPTION

Slab's acoustic properties reduce ambient noise while its distinctive aesthetics stand out.

TYPE

Pendant

DIMENSIONS

- Luminaire: 150 x 35 x 1.5cm / 59" x 13.75" x 0.6"
- Adjustable drop length: 243cm / 96"

* CUSTOM LENGTH AVAILABLE

CERTIFICATIONS

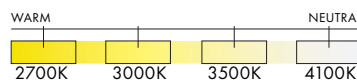


* APPLICATION: DRY INDOOR LOCATION ONLY

TECHNICAL INFORMATION

- Input Voltage: 110–120V, 220–240V, 110–277V
- Lamping: Integral 18W 12V DC LED
CRI 90+, 50,000 hours
- Lumens: 1048 lumens delivered
- Power Supply: Phase Dimming, 0-10V, DALI

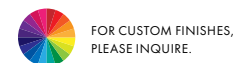
COLOUR TEMPERATURE



MATERIALS

- Acrylic
- Merino Wool

FINISHES



SERIES	SIZE	TYPE	FINISH	CCT	PS	VOLTAGE IN
SLA	150	P	<input type="checkbox"/> WWH (WOOL WHITE)	<input type="checkbox"/> 27 (2700K)	<input type="checkbox"/> ELV	<input type="checkbox"/> 120
			<input type="checkbox"/> GRY (WOOL GREY)	<input type="checkbox"/> 30 (3000K)	<input type="checkbox"/> 010	<input type="checkbox"/> 230
			<input type="checkbox"/> BRN (WOOL BROWN)	<input type="checkbox"/> 35 (3500K)	<input type="checkbox"/> DAL	<input type="checkbox"/> 277*
			<input type="checkbox"/> BLK (WOOL BLACK)	<input type="checkbox"/> 41 (4100K)		
			<input type="checkbox"/> GLD (MARIGOLD)			
			<input type="checkbox"/> GRN (FERN GREEN)			

*277 ONLY AVAILABLE WITH 010

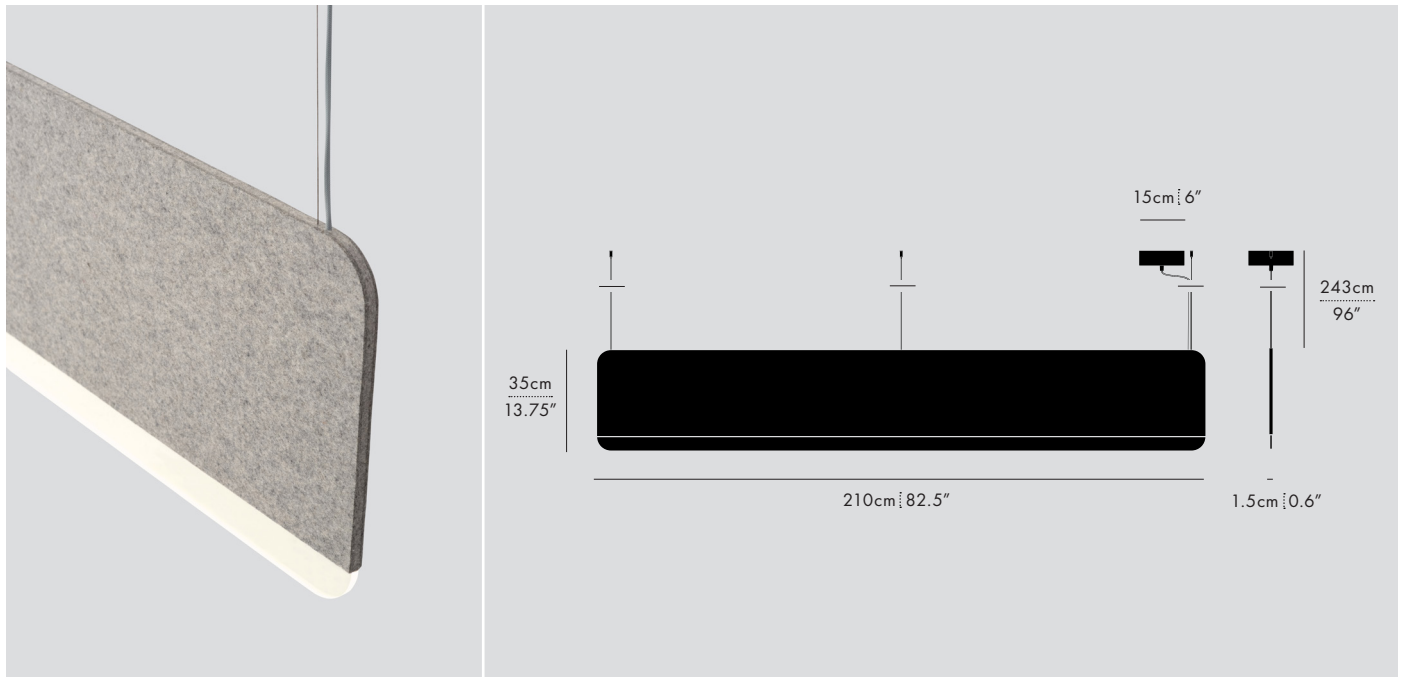


SLAB 210-P

PENDANT

MANUFACTURED IN CANADA

LUKAS PEET / 2013



SLA-210-P-GRY-30-ELV-120

DESCRIPTION

Slab's acoustic properties reduce ambient noise while its distinctive aesthetics stand out.

TYPE

Pendant

DIMENSIONS

- Luminaire: 210 x 35 x 1.5cm / 82.5" x 13.75" x 0.6"
- Adjustable drop length: 243cm / 96"

* CUSTOM LENGTH AVAILABLE

CERTIFICATIONS

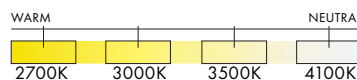


* APPLICATION: DRY INDOOR LOCATION ONLY

TECHNICAL INFORMATION

- Input Voltage: 110-120V, 220-240V, 110-277V
- Lamping: Integral 20W 12V DC LED
CRI 90+, 50,000 hours
- Lumens: 1292 lumens delivered
- Power Supply: Phase Dimming, 0-10V, DALI

COLOUR TEMPERATURE



MATERIALS

- Acrylic
- Merino Wool

FINISHES



SERIES	SIZE	TYPE	FINISH	CCT	PS	VOLTAGE IN
SLA	210	P	<input type="checkbox"/> WWH (WOOL WHITE)	<input type="checkbox"/> 27 (2700K)	<input type="checkbox"/> ELV	<input type="checkbox"/> 120
			<input type="checkbox"/> GRY (WOOL GREY)	<input type="checkbox"/> 30 (3000K)	<input type="checkbox"/> 010	<input type="checkbox"/> 230
			<input type="checkbox"/> BRN (WOOL BROWN)	<input type="checkbox"/> 35 (3500K)	<input type="checkbox"/> DALI	<input type="checkbox"/> 277*
			<input type="checkbox"/> BLK (WOOL BLACK)	<input type="checkbox"/> 41 (4100K)		
			<input type="checkbox"/> GLD (MARIGOLD)			
			<input type="checkbox"/> GRN (FERN GREEN)			

*277 ONLY AVAILABLE WITH 010

